

# FEEDING PUMPS



## OVERVIEW

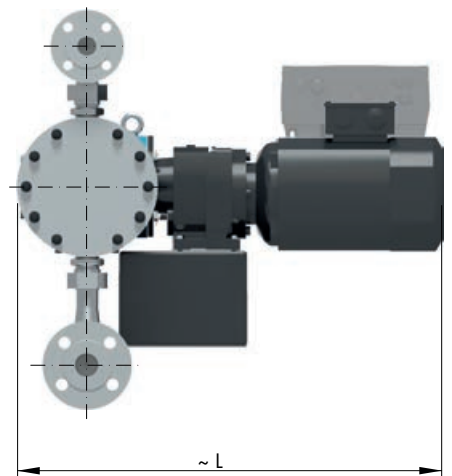
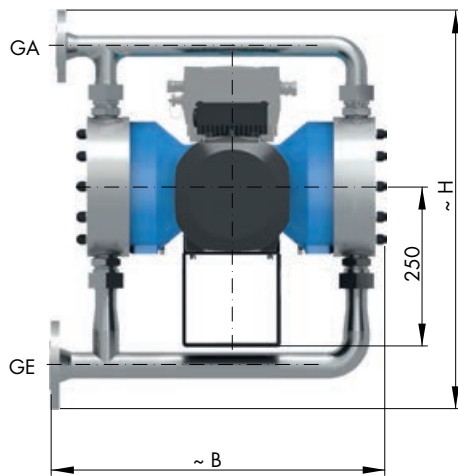
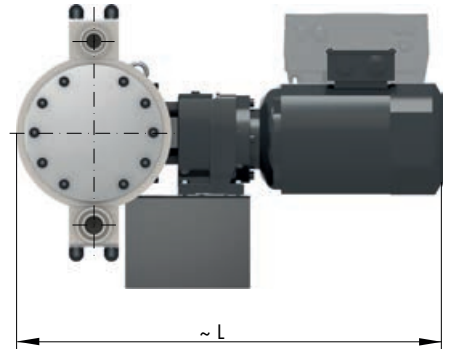
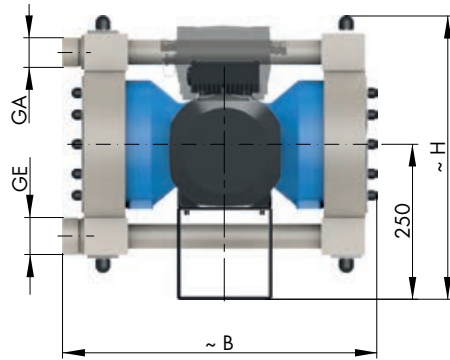
- Safe to run dry
- Leakage free
- Low-maintenance
- Low operating costs
- High-quality materials
- User-friendly
- Integrateable in automatic processes
- Manual stroke frequency adjustment (Type ZXRI)
- Compact design
- Robust, metallic drive housing

## TECHNICAL DATA

PUMP DATA			ZX..411.3-2200e		ZX..411.3-2600e		ZX..411.3-3100e		
			ZXM/RF	ZXRI	ZXM/RF	ZXRI	ZXM/RF	ZXRI	
Permissible pressure $p_{2max}$ at the pump outlet	bar	4							
Nominal capacity QN at $p_{2max}$	l/h	50 Hz	2.200	230-2.200	2.600	230-2.600	3.100	230-3.100	
		60 Hz	2.640	230-2.200	3.120	230-2.600	–	230-3.100	
Max. suction height	mWC	8							
Min./max. permissible pressure at the pump inlet	$p_{1min/max}$ bar	-0,8/0							
Recommended nominal diameter DN of the connecting pipes	mm	Inlet	32						
		Outlet	25						
Nominal stroke frequency	1/min	50 Hz	94	94	105	113	131	131	
		60 Hz	113	94	126	113	–	131	
Weight approx.	kg	plastic	75	75	75	80	80	80	
		stainless steel	95	100	100	107	106	109	

ELECTRICAL DATA		ZXM 411.3-... e	ZXRF 411.3-... e	ZXRI 411.3-... e
Power consumption	kW	0,75	1,1	0,75
Voltage	V	230/400V 50Hz, 460V 60Hz		
Frequency	Hz	50/60		
Protection category	IP	65	65	54

## DIMENSIONS



	GE	GA		B	L	H		B	L	H		B	L	H
ZXM / ZXRF 411.3-2200e	G2	G1½	PVC, PP, PVDF	530	665	510	PP-GFK, PVDF-GFK	505	680	460	1.4571	525	665	530
ZXM / ZXRF 411.3-2600e	G2	G1½		530	665	510		505	680	460		525	665	530
ZXM / ZXRF 411.3-3100e	G2	G1½		530	665	510		505	680	460		525	665	530
ZXRI 411.3-2200e	G2	G1½		530	665	510		505	680	460		525	665	530
ZXRI 411.3-2600e	G2	G1½		530	665	510		505	680	460		525	665	530
ZXRI 411.3-3100e	G2	G1½		530	665	510		505	680	460		525	665	530

## CHARACTERISTIC CURVES

