

DIAPHRAGM PUMPS



OVERVIEW

- High dosing accuracy
- Safe to run dry
- Leakage free
- Low-maintenance
- User-friendly
- Compact design
- Low weight
- Continuous, manual stroke length adjustment
- Motor suitable for operation with frequency converter
- Robust, metallic drive housing



TECHNICAL DATA

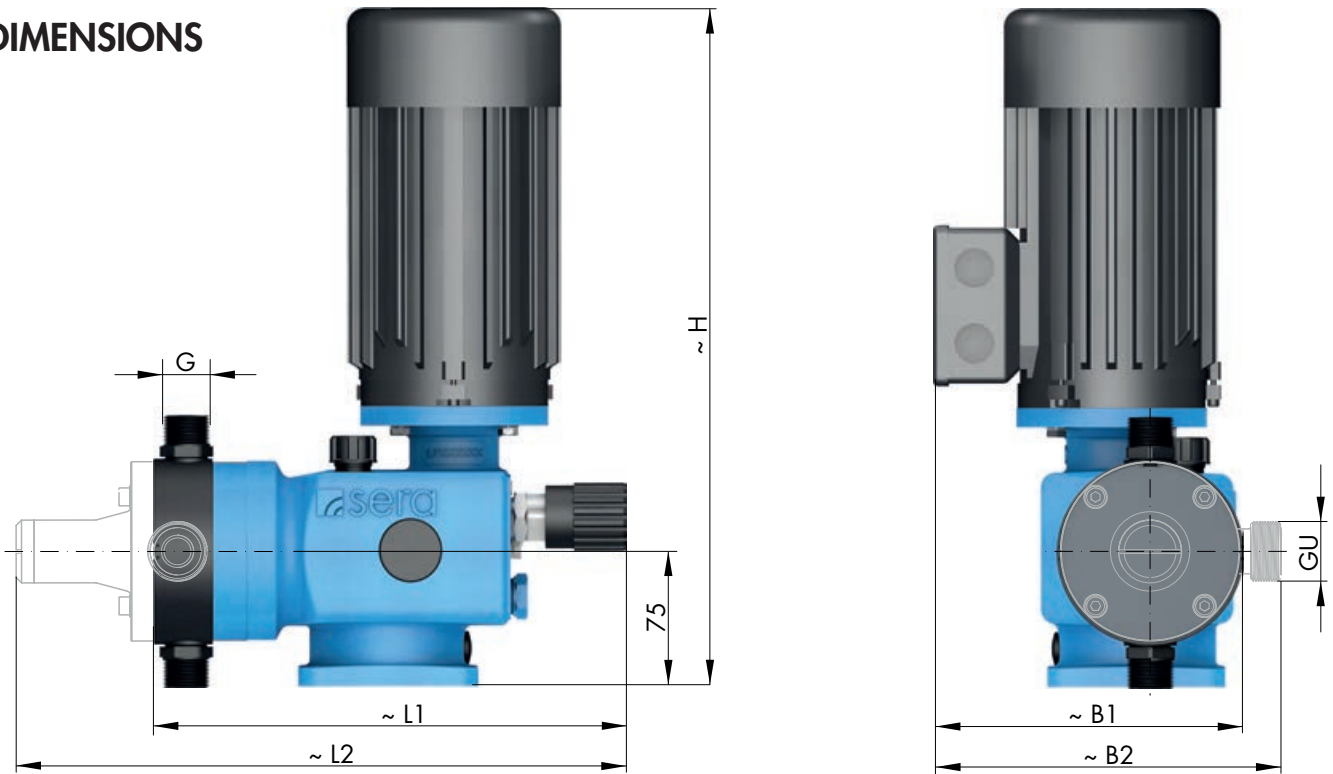
PUMP DATA			RF 409.2-...							
(* 8mWS = performance losses of nominal capacity QN of 20-25%)			50e	75e	90e	115e	140e	180e	250e	350e
Permissible pressure p_{2max} at the pump outlet	bar		10	10	8	4	8	4	3	3
Nominal capacity QN at p_{2max}	l/h	50 Hz	0-50	0-75	0-90	0-115	0-140	0-180	0-250	0-350
		60 Hz	0-60	0-90	0-108	0-138	0-168	0-216	0-300	—
Quantity per stroke	ml/stroke (100%)		8,3	8,3	15,0	19,2	15,6	20,0	41,7	38,9
Max. suction height	mWC		3 (8 *)						3	
Min./max. permissible pressure at the pump inlet	bar	$p_{1min/max}$	-0,3/0 (-0,8/0)						-0,3/0	
Recomm. nominal diameter DN of the connecting pipes	mm		10	15	15	15	15	15	15	15
Nominal stroke frequency	1/min	50 Hz	100	150	100	100	150	150	100	150
		60 Hz	120	180	120	120	180	180	120	—
Weight approx.	kg	plastic	9	9	11	10	11	10	13	13
		stainless steel	10	10	13	13	13	13	21	21

ELECTRICAL DATA		RF409.2-50e ... RF409.2-350e
Power consumption	kW	0,37
Voltage	V	230/400V 50Hz, 460V 60Hz
Frequency	Hz	50/60
Insulation class	ISO	F
Enclosure	IP	55

Flow capacity 50 l/h ... 350 l/h
 Admissible counterpressure up to 10 bar

RF 409.2

DIMENSIONS



	G	GU		B1	B2	L1	L2	H		B1	B2	L1	L2	H
RF 409.2 -50e, ...-75e	G 3/4	G 3/4	PVC, PP, PVDF	185	190	295	360	365	1.4571	185	190	295	360	365
RF 409.2 -90e, ... -140e	G 3/4	G1		185	205	300	370	365		185	205	300	370	365
RF 409.2 -115e, ... -180e	G 3/4	G1		185	205	300	370	365		185	205	300	370	365
RF 409.2 -250e, ...-350e	G1 1/4*	G1 1/4*		220	230	355	435	365		220	230	355	435	365

* PVC = G1

CHARACTERISTIC CURVES

