

DIAPHRAGM PUMPS



OVERVIEW

- High dosing accuracy
- Safe to run dry
- Leakage free
- Low-maintenance
- User-friendly
- Continuous, manual stroke length adjustment
- Motor suitable for operation with frequency converter
- Robust, metallic drive housing
- Compact design
- Low weight

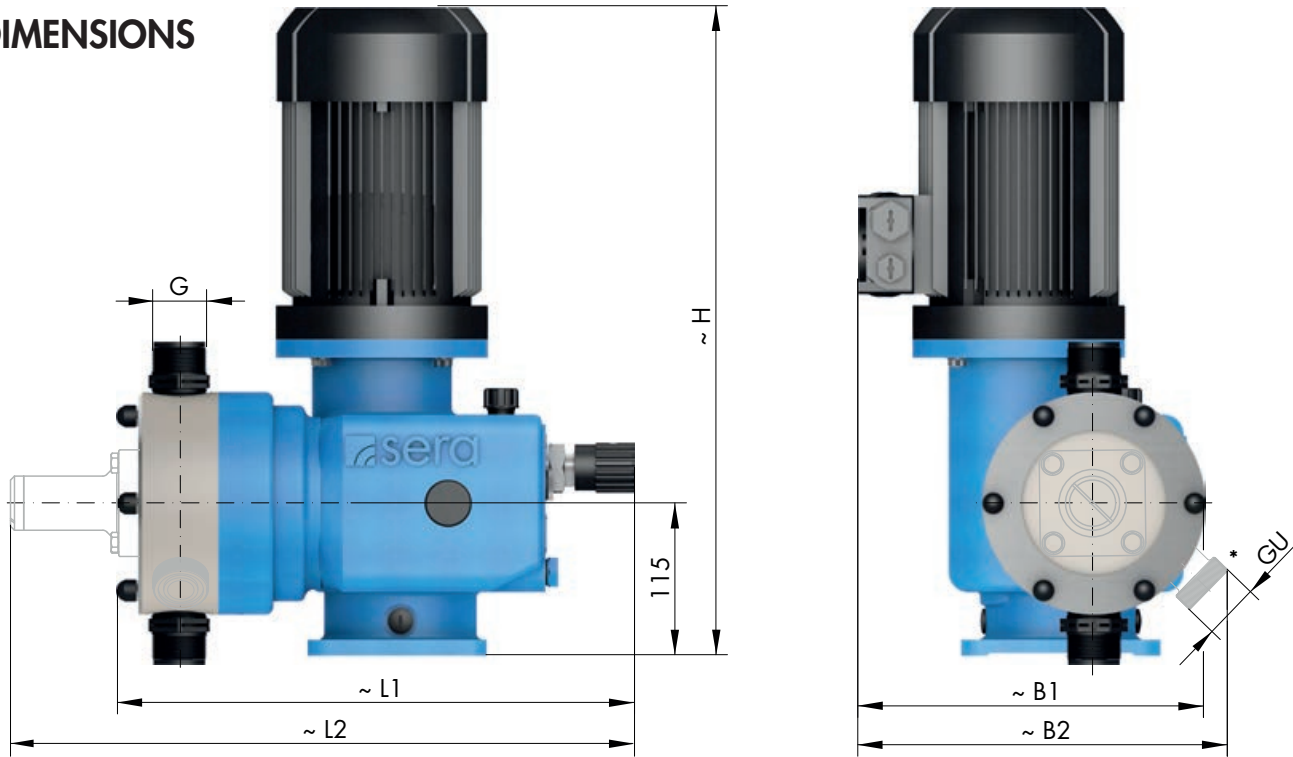
TECHNICAL DATA

PUMP DATA			RF 410.2-...			
			280e	570e	900e	1450e
Permissible pressure p_{2max} at the pump outlet	bar		8	6	5	5 *
Nominal capacity QN at p_{2max}	l/h	50 Hz	0-280	0-570	0-900	0-1.450
		60 Hz	0-336	0-684	0-1.080	0-1.740
Quantity per stroke	ml/stroke (100%)		46	98	155	245
Max. suction height	mWC		5	5	3	3
Min./max. permissible pressure at the pump inlet	bar	$p_{1min/max}$	-0,5/0	-0,5/0	-0,3/0	-0,3/0
Recommended nominal diameter DN of the connecting pipes	mm		15	15	20	25
Nominal stroke frequency	1/min	50 Hz	97	97	97	97
		60 Hz	116	116	116	116
Weight approx.	kg	plastic	35	35	37	41
		stainless steel	42	42	52	59

* at 60 Hz is the permissible pressure 3,5 bar

ELECTRICAL DATA		RF 410.2-...			
		280e	570e	900e	1450e
Power consumption	kW	0,75	0,75	1,1	1,5
Voltage	V	230/400V 50Hz, 460V 60Hz			
Frequency	Hz	50/60			
Insulation class	ISO	F			
Enclosure	IP	55			

DIMENSIONS



	G	GU		B1	B2	L1	L2	H		B1	B2	L1	L2	H
RF 410.2-280e	G1¼*	G1¼*	PVC, PP, PVDF	265	280	403	484	530	1.4571	265	280	400	484	530
RF 410.2-570e	G1¼*	G1¼*		265	280	403	484	530		265	280	400	484	530
RF 410.2-900e	G1¼	×		295	×	428	×	540		295	×	425	×	540
RF 410.2-1450e	G1¼	×		295	×	428	×	580		295	×	425	×	580

* PVC = G1

CHARACTERISTIC CURVES

