

SOLENOID DIAPHRAGM PUMPS

CONTROLLABLE



OVERVIEW

- Safe to run dry
- Leakage free
- Low maintenance
- User friendly
- High dosing accuracy
- Flexible, multifunctional
- Digital and analogue control
- PROFIBUS DP-Interface (option)
- Manual stroke length- and stroke frequency adjustm.
- Robust, corrosion-resistant housing



TECHNICAL DATA

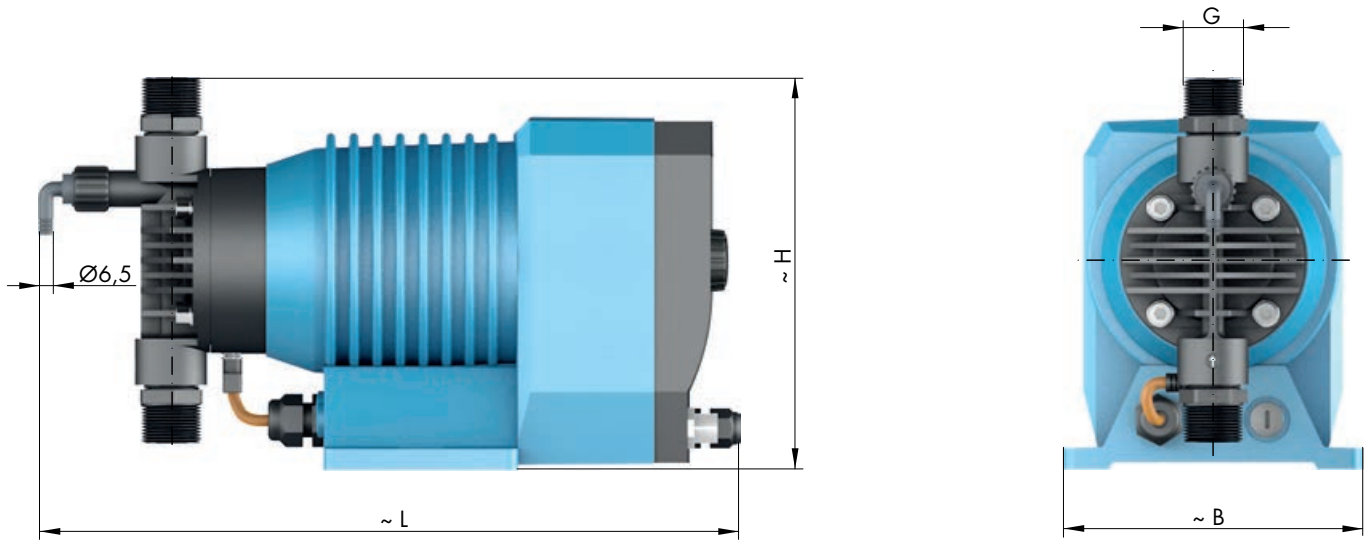
PUMP DATA			C 204.1-...				
			1,2e	2,4e	7,0e	10e	35e
Permissible pressure p_{2max} at the pump outlet	bar		10	10	10	6	1,5
Nominal capacity QN at p_{2max}	l/h	50/60 Hz	0-1,2	0-2,4	0-7	0-10	0-35
Quantity per stroke	ml/stroke (100%)		0,13	0,27	0,78	1,11	3,89
Max. suction height	mWC		2	2	3	3	3
Min./max. permissible pressure at the pump inlet	bar	$p_{1min/max}$	-0,2/0	-0,2/0	-0,3/0	-0,3/0	-0,3/0
Recommended nominal diameter DN of the connecting pipes	mm		5	5	5	5	10
Nominal stroke frequency	1/min	50/60 Hz	150	150	150	150	150
Weight approx.	kg		4,1	4,1	4,8	4,8	5,1

ELECTRICAL DATA			C 204.1-...e	
Middle power draw	W		33	
Nominal voltage	V		100 - 240	
Frequency	Hz		50/60	
Inlet voltage, control input	V DC		5...30	
Minimum contact signal time	ms		55	
Analogue input resistance	Ω		100	
Current Consumption during stroke	A (at 230V)		max. 1,0	
Digital output internal/external supply			PNP max. 15V DC, 50mA / max. 30V DC, 350mA	
Recommended fuse	(circuit breaker)		C2A	
Insulation class	ISO		F	
Enclosure	IP		65	

Flow capacity 1,2 l/h ... 35 l/h
 Admissible counterpressure up to 10 bar

C 204.1

DIMENSIONS



	G		B	L	H		B	L	H		B	L	H
C 204.1-1,2e	G 3/4	PP-/PVDF-GFK	130	305	171	PVC, PP, PVDF	130	275	161	1.4571	130	275	161
C 204.1-2,4e	G 3/4		130	305	171		130	275	161		130	275	161
C 204.1-7,0e	G 3/4		130	305	171		130	275	161		130	275	161
C 204.1-10e	G 3/4		130	305	171		130	275	161		130	275	161
C 204.1-35e	G 3/4		130	275	166		130	275	171		130	275	167

CHARACTERISTIC CURVES

