

SOLENOID DIAPHRAGM PUMPS

CONTROLLABLE



OVERVIEW

- Compact design
- Low weight
- Safe to run dry
- Leakage-free
- Low-maintenance
- User-friendly
- High dosing accuracy
- Integrable into automatic processes
- Manual stroke length and stroke frequency adjustment
- Robust, corrosion-resistant housing



TECHNICAL DATA

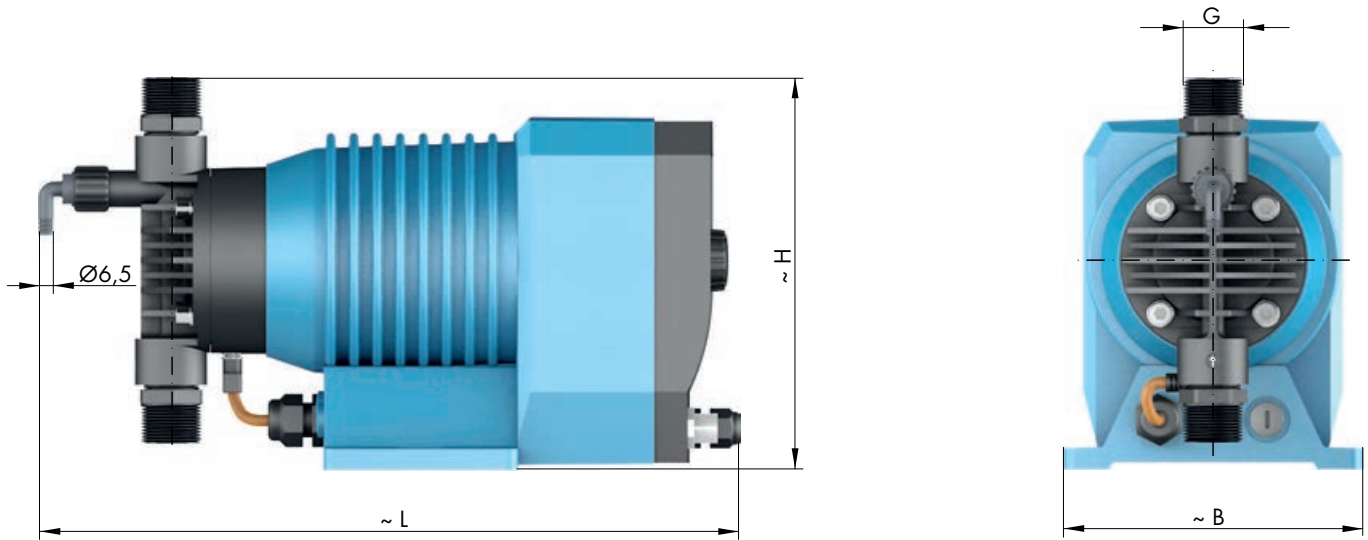
PUMP DATA			R 204.1-...				
			1,2e	2,4e	7,0e	10e	35e
Permissible pressure p_{2max} at the pump outlet	bar		10	10	10	6	1,5
Nominal capacity QN at p_{2max}	l/h	50/60 Hz	0-1,2	0-2,4	0-7	0-10	0-35
Quantity per stroke	ml/stroke (100%)		0,13	0,27	0,78	1,11	3,89
Max. suction height	mWC		2	2	3	3	3
Min./max. permissible pressure at the pump inlet	bar	$p_{1min/max}$	-0,2/0	-0,2/0	-0,3/0	-0,3/0	-0,3/0
Recommended nominal diameter DN of the connecting pipes	mm		5	5	5	5	10
Nominal stroke frequency	1/min	50/60 Hz	150	150	150	150	150
Weight approx.	kg		4,1	4,1	4,8	4,8	5,1

ELECTRICAL DATA			R 204.1-...e
Middle power draw	W		20
Nominal voltage	V		100 - 240
Frequency	Hz		50/60
Inlet voltage, control input	V DC		5...30
Minimum contact signal time	ms		55
Analogue input resistance	Ω		100
Current Consumption during stroke	A (at 230V)		max. 1,0
Recommended fuse (circuit breaker)			C2A
Insulation class	ISO		F
Enclosure	IP		65

Flow capacity 1,2 l/h ... 35 l/h
 Admissible counterpressure up to 10 bar

R 204.1

DIMENSIONS



	G		B	L	H		B	L	H		B	L	H
R 204.1-1,2e	G 3/4	PP-/PVDF-GFK	130	305	171	PVC, PP, PVDF	130	275	161	1.4571	130	275	161
R 204.1-2,4e	G 3/4		130	305	171		130	275	161		130	275	161
R 204.1-7,0e	G 3/4		130	305	171		130	275	161		130	275	161
R 204.1-10e	G 3/4		130	305	171		130	275	161		130	275	161
R 204.1-35e	G 3/4		130	275	166		130	275	171		130	275	167

CHARACTERISTIC CURVES

