

PISTON DIAPHRAGM PUMPS



OVERVIEW

- Multi-layer diaphragm technology
- High dosing accuracy
- Safe to run dry
- Leakage free
- Low-maintenance
- User-friendly
- Motor suitable for operation with frequency converter
- Continuous, manual stroke length adjustment
- High-quality materials
- Robust, metallic drive housing

TECHNICAL DATA

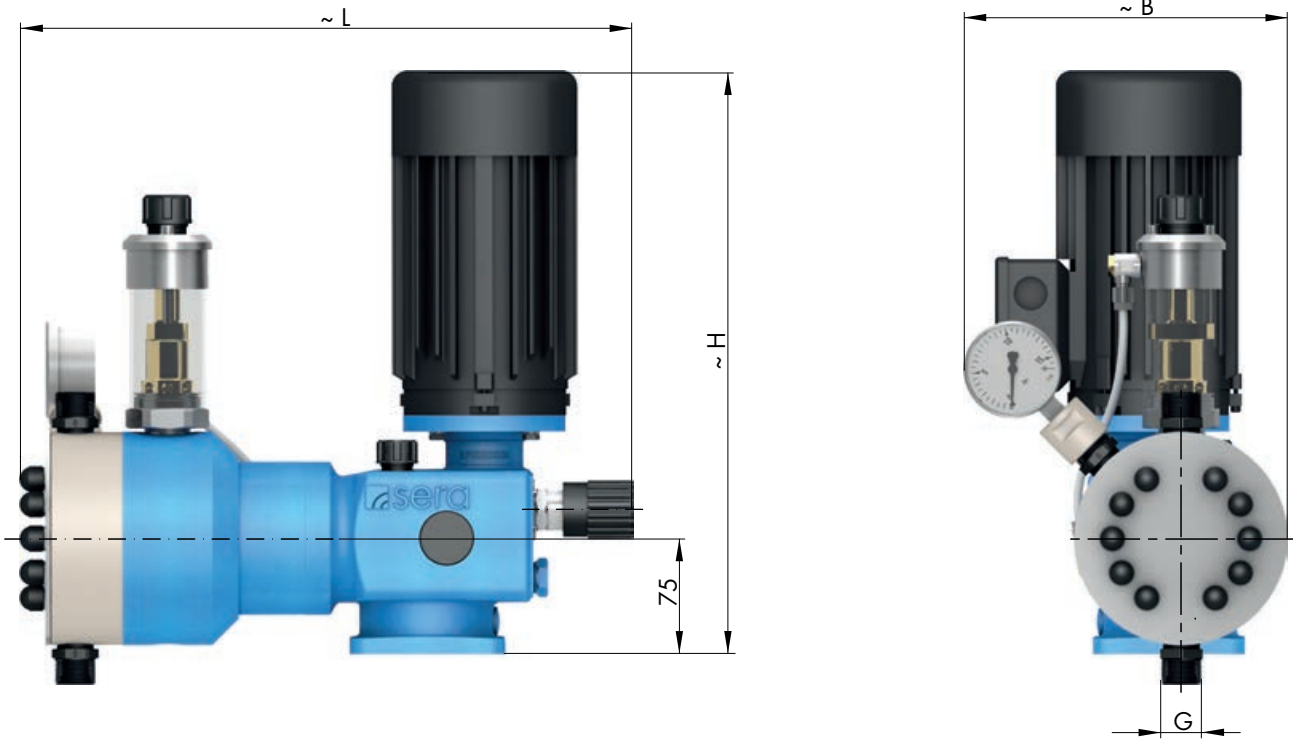
PUMP DATA			RF 409.2-... KM					
			7,5 KM	10 KM	18 KM	45 KM	95 KM	190 KM
Permissible pressure p_{2max} at the pump outlet	bar	plastic	10	10	10	10	10	10
		stainless steel	80	80	70	35	20	10
Nominal capacity QN at p_{2max}	l/h	50 Hz	0-7,5	0-10	0-18	0-45	0-95	0-190
		60 Hz	0-9,0	0-12	0-21	0-54	0-114	–
Quantity per stroke	ml/stroke (100%)		1,25	1,1	2,0	5,0	10,6	21,1
Max. suction height	mWC		2	2	2	3	3	3
Min./max. permissible pressure at the pump inlet	bar	$p_{1min/max}$	-0,2/0	-0,2/0	-0,2/0	-0,3/0	-0,3/0	-0,3/0
Recommended nominal diameter DN of the connecting pipes	mm		10	10	10	10	15	15
Nominal stroke frequency	1/min	50 Hz	100	150	150	150	150	150
		60 Hz	120	180	180	180	180	180
Weight approx.	kg	plastic	15	15	15	18	18	18
		stainless steel	17	17	17	21	21	21

ELECTRICAL DATA		RF 409.2-... KM
Power consumption	kW	0,37
Voltage	V	230/400V 50Hz, 460V 60Hz
Frequency	Hz	50/60
Insulation class	ISO	F
Enclosure	F	55

Flow capacity 7,5 l/h ... 190 l/h
 Admissible counterpressure up to 80 bar

RF 409.2-...KM

DIMENSIONS



	G		B	L	H		B	L	H
RF 409.2-7,5 KM	G 3/4	PVC, PP, PVDF	195	350	365	1.4571	195	350	365
RF 409.2-10 KM	G 3/4		195	350	365		195	350	365
RF 409.2-18 KM	G 3/4		195	350	365		195	350	365
RF 409.2-45 KM	G 3/4		210	405	365		210	405	365
RF 409.2-95 KM	G 3/4		210	405	365		210	405	365
RF 409.2-190 KM	G 3/4		210	405	365		210	405	365

CHARACTERISTIC CURVES

