

# PISTON DIAPHRAGM PUMPS



## OVERVIEW

- Multi-layer diaphragm technology
- High dosing accuracy
- Safe to run dry
- Leakage free
- Low-maintenance
- User-friendly
- Motor suitable for operation with frequency converter
- Continuous, manual stroke length adjustment
- High-quality materials
- Robust, metallic drive housing

## TECHNICAL DATA

PUMP DATA			RF 410.2-... KM					
			38 KM	76 KM	150 KM	310 KM	510 KM	850 KM
Permissible pressure $p_{2max}$ at the pump outlet	bar	plastic	10	10	10	10	10 *	8
		stainless steel	80	70	40	20	14 *	8
Nominal capacity QN at $p_{2max}$	l/h	50 Hz	0-38	0-76	0-150	0-310	0-510	0-850
		60 Hz	0-45	0-90	0-180	0-372	0-610	0-1.020
Quantity per stroke	ml/stroke (100%)		6,5	13	25,8	53,3	87,6	186,4
Max. suction height	mWC		2	2	3	3	3	3
Min./max. permissible pressure at the pump inlet	bar	$p_{1min/max}$	-0,2/0	-0,2/0	-0,3/0	-0,3/0	-0,3/0	-0,3/0
Recommended nominal diameter of the connecting pipes	mm	DN	8	8	15	15	15	20
Nominal stroke frequency	1/min	50 Hz	97	97	97	97	97	76
		60 Hz	116	116	116	116	–	92
Weight approx.	kg	plastic	54	54	54	54	54	64
		stainless steel	60	60	60	60	60	82

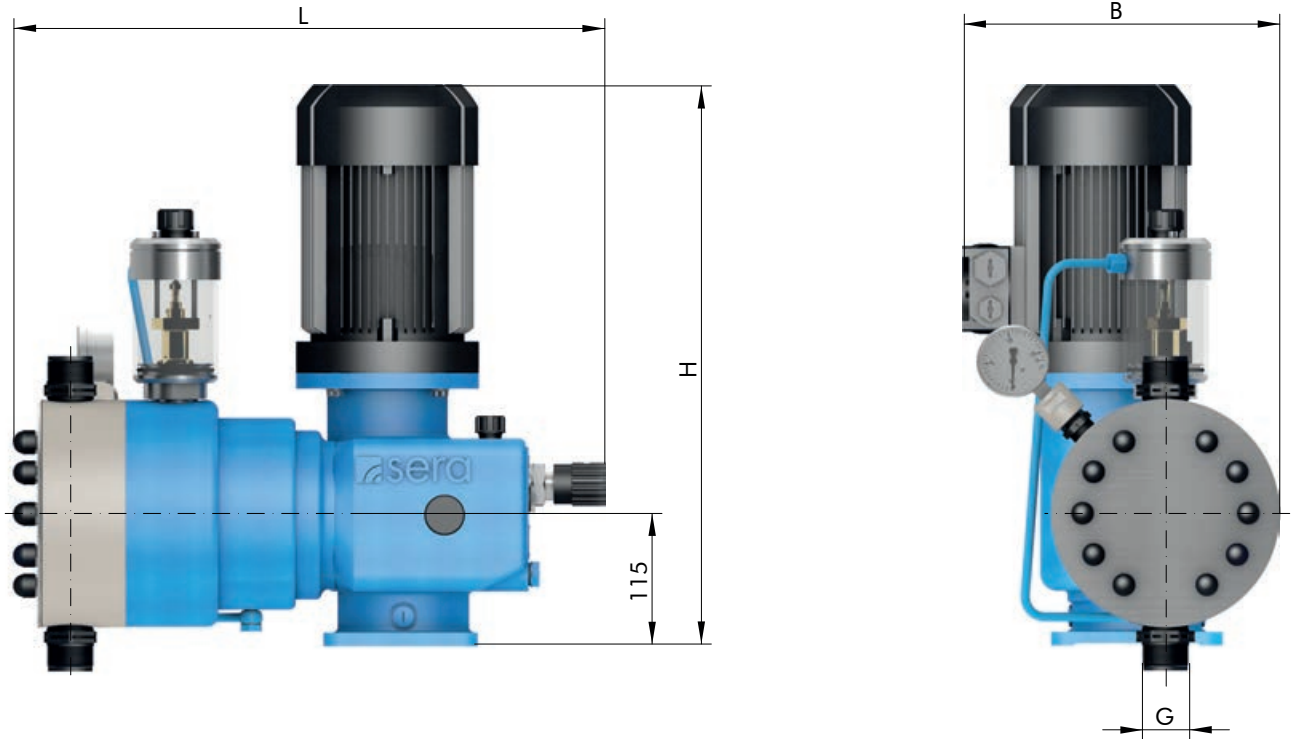
\* at 60 Hz is the permissible pressure 8 bar

ELECTRICAL DATA		RF 410.2-... KM		
		38 KM	76 KM	150 KM ... 850 KM
Power consumption	kW	0,75	1,1	1,5
Voltage	V	230/400V 50Hz, 460V 60Hz		
Frequency	Hz	50/60		
Insulation class	ISO	F		
Enclosure	F	55		

Flow capacity 38 l/h ... 1.020 l/h  
 Admissible counterpressure up to 80 bar

RF 410.2-...KM

**DIMENSIONS**



	G		B	L	H		B	L	H
RF 410.2-38 KM	G ¾	PVC, PP, PVDF	255	495	530	1.4571	255	495	530
RF 410.2-76 KM	G ¾		260	495	540		260	495	540
RF 410.2-150 KM	G 1¼*		285	533	580		285	533	580
RF 410.2-310 KM	G 1¼*		285	533	580		285	533	580
RF 410.2-510 KM	G 1¼*		285	533	580		285	533	580
RF 410.2-850 KM	G 1¼		310	580	580		310	580	580

\* PVC = G1

**CHARACTERISTIC CURVES**

